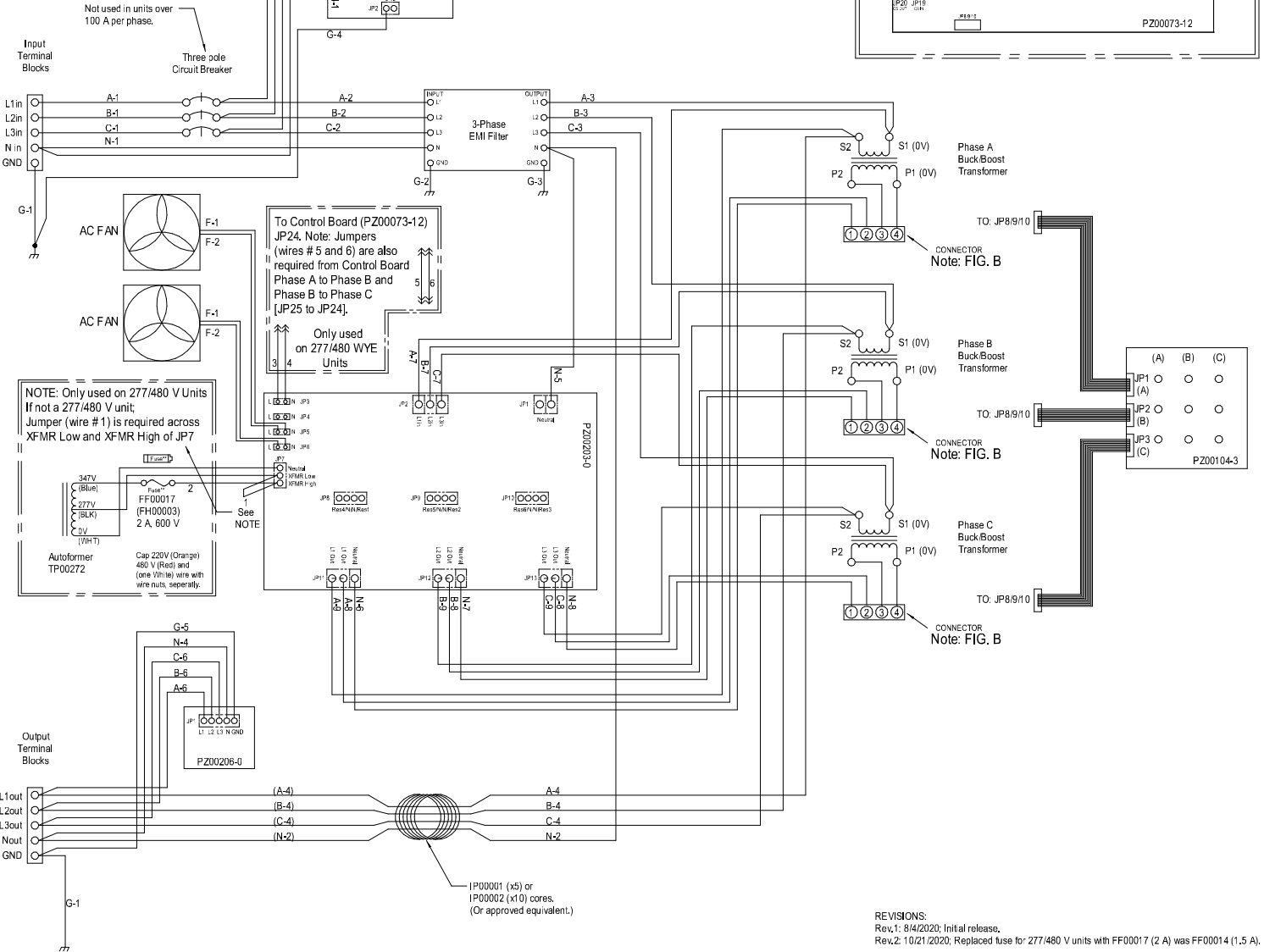
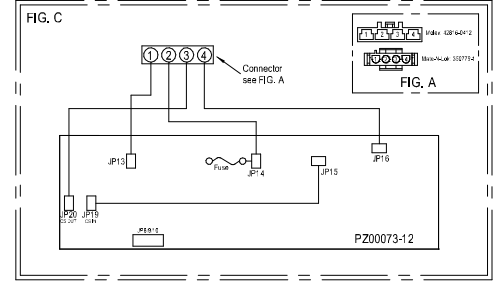
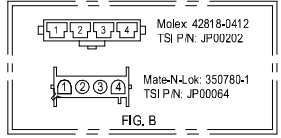
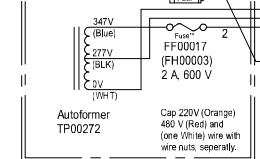


L1in = Line 1 Input  
 L2in = Line 2 Input  
 L3in = Line 3 Input  
 Nin = Neutral Input  
 G = Earth Ground  
 (or PE = Protective Earth)  
 Nout = Neutral Output  
 L1out = Line 1 Output  
 L2out = Line 2 Output  
 L3out = Line 3 Output



NOTE: Only used on 277/480 V Units  
 If not a 277/480 V unit,  
 Jumper (wire # 1) is required across  
 XFMR Low and XFMR High of JP7



REVISIONS:  
 Rev.1: 8/4/2020; Initial release.  
 Rev.2: 10/21/2020; Replaced fuse for 277/480 V units with FF00017 (2 A) was FF00014 (1.5 A).